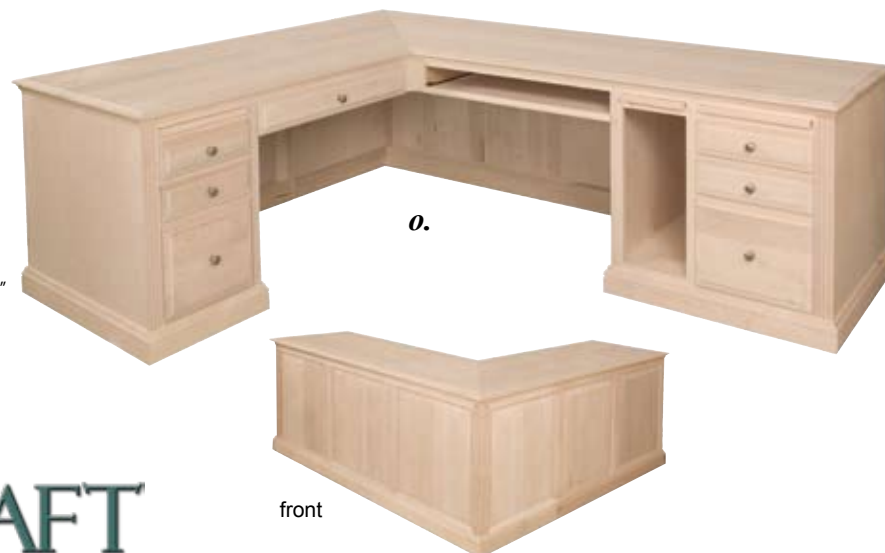
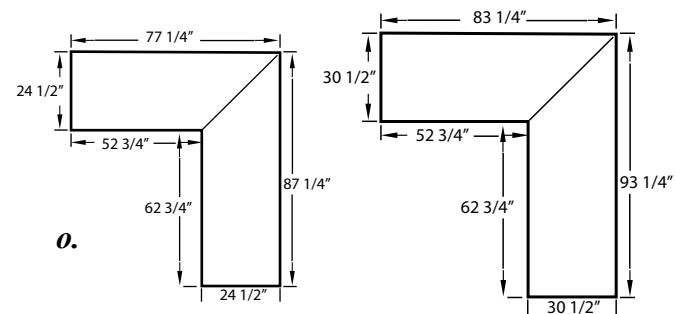
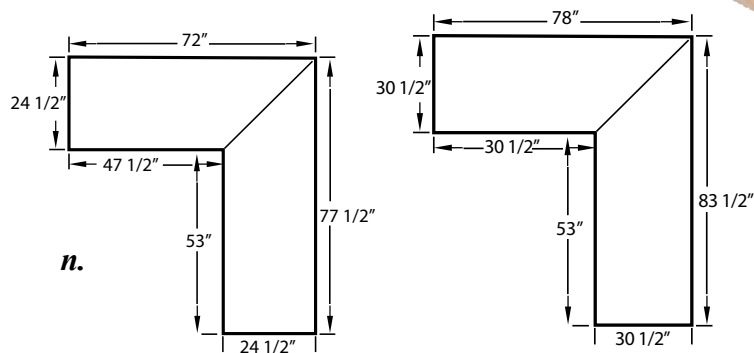




# FLUTED COLLECTION



# FLUTED COLLECTION

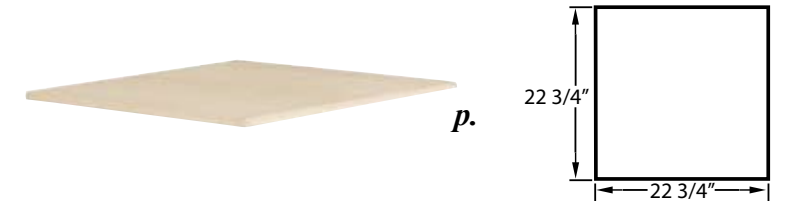
## PRODUCT FEATURES:

- solid wood fluting
- solid wood drawer fronts and drawer parts
- solid wood raised panel doors
- keyboard pullouts
- hardware options available
- hanging folder rails
- English dovetail drawer joints
- European-style drawer glides
- file drawers feature ball-bearing full extension glides
- optional full extension ball bearing drawer glide (.FE)
- concealed adjustable hinges



## Handsome and Sturdy

You will personally enjoy the lasting quality of our Fluted Office Collection.



## Office Armoire

### k. Home Office Armoire WC\_4H0501

- 43 3/4" w x 70" h x 23" d
- monitor space: 36 3/4" w x 26" h
- standard raised panel doors
- writing pullout
- printer pullout
- scanner pullout
- power/phone strip
- task light
- Door Options:
  - raised panel wrap doors shown
  - raised panel bi-fold doors

## Corner Desks

### n. Corner Desk 24" WC\_4H0714.PCL shown WC\_4H0714.PCR

- 30 1/2" h x 24 1/2" d
- specify CPU opening left or right when ordering

### Corner Desk 30" WC\_4H0715.PCL WC\_4H0715.PCR

- 30 1/2" h x 30 1/2" d
- specify CPU opening left or right when ordering

### o. Corner Desk 24" WC\_4H0716.PCL WC\_4H0716.PCR

- 30 1/2" h x 24 1/2" d
- specify CPU opening left or right when ordering

### Corner Desk 30" WC\_4H0717.PCL WC\_4H0717.PCR shown

- 30 1/2" h x 30 1/2" d
- specify CPU opening left or right when ordering

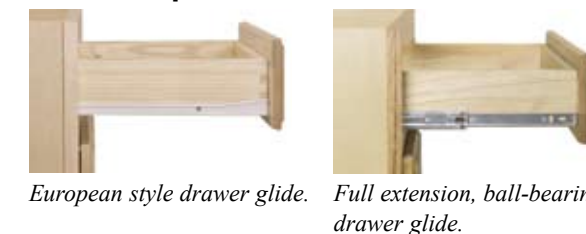
### p. Corner Connector WC\_4H1101

- 22 3/4" w x 22 3/4" d

## Hardware Options



## Drawer Options



Full Ext. drawer glides add .FE to the end of the model number.

[BACK TO TABLE OF CONTENTS](#)





# FLUTED COLLECTION

## Handsome and Sturdy

You will personally enjoy the lasting heirloom quality of our Fluted Office Collection.



a.

b.



c.

d.



e.

f.



g.

h.



i.

j.



k.

l.



m.

n.



o.

p.



q.

r.



# FLUTED COLLECTION

## PRODUCT FEATURES:

- solid wood fluting
- solid wood drawer fronts and drawer parts
- solid wood raised panel doors
- keyboard pullouts
- hardware options available
- hanging folder rails
- English dovetail drawer joints
- European-style drawer glides
- file drawers feature ball-bearing full extension glides
- optional full extension ball bearing drawer glide (.FE)
- concealed adjustable hinges

## Desks, Hutch and Credenzas

### a. Computer Hutch WC\_4H0801

49 1/4" w x 36" h x 13" d

### b. Single Pedestal Desk WC\_4H0701

48 3/4" w x 30 1/2" h x 22 3/4" d

### c. Computer Hutch WC\_4H0801

49 1/4" w x 36" h x 13" d

### d. Single Pedestal Computer Desk WC\_4H0702

48 3/4" w x 30 1/2" h x 22 3/4" d

### e. Computer Hutch WC\_4H0803

63 1/2" w x 36" h x 13" d

### f. Double Pedestal Computer Desk WC\_4H0704

63" w x 30 1/2" h x 22 3/4" d  
CPU opening: 10 3/4" w x 23 1/2" h

### g. Computer Hutch WC\_4H0802

63 1/2" w x 36" h x 13" d

### h. Double Pedestal Desk WC\_4H0703

63" w x 30 1/2" h x 22 3/4" d  
30" d oversized top raised panel back

### i. Utility Hutch WC\_4H0806

39 1/2" w x 36" h x 13" d

### j. Storage Cabinet WC\_4H0903

39" w x 30 1/2" h x 22 3/4" d  
one adjustable shelf



Double Pedestal Fluted Desk  
WC\_4H0703

Desk Front View

### k. Desk Hutch with Paper Sorter WC\_4H0809

64" w x 42" h x 13" d

### l. Six Drawer Executive Desk with Pullout WC\_4H0712

63" w x 30 1/2" h x 30" d

63" w x 30 1/2" h x 30" d

### m. Desk Hutch with Drawer WC\_4H0810

64" w x 42" h x 13" d

### n. Office Credenza WC\_4H0909

63" w x 30 1/2" h x 16 3/4" d

### o. Desk Hutch with Paper Sorter WC\_4H0811

64" w x 42" h x 13" d

glass mullion doors

64" w x 42" h x 13" d

### p. Six Drawer Executive Desk with Pullout WC\_4H0712

64 1/2" w x 30 1/2" h x 30" d

### q. Desk Hutch with Drawer WC\_4H0812

64 3/4" w x 42" h x 13" d  
glass mullion doors

### r. Office Credenza WC\_4H0909

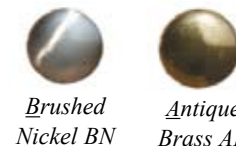
63" w x 30 1/2" h x 16 3/4" d

## Hardware Options



Wood W

Black B



Brushed Nickel BN

Antique Brass AB

## Drawer Options



European style drawer glide.



Full extension, ball-bearing drawer glide.

Full Ext. drawer glides add .FE to the end of the model number.

[BACK TO TABLE OF CONTENTS](#)





# FLUTED COLLECTION



## PRODUCT FEATURES:

- solid wood fluting
- solid wood drawer fronts and drawer parts
- solid wood raised panel doors
- keyboard pullouts
- hardware options available
- hanging folder rails
- English dovetail drawer joints
- European-style drawer glides
- file drawers feature ball-bearing full extension glides
- optional full extension ball bearing drawer glide (.FE)
- concealed adjustable hinges



a.



front



d.



e.



f.



b.



front



c.

## Desks

**a. Seven Drawer Executive Desk with Pencil Drawer**  
WC\_4H0713  
63" w x 30 1/2" h x 30" d

**b. Bookcase Desk**  
WC\_4H0718  
63" w x 30 1/2" h x 30" d  
**Bookcase Desk with Doors**  
WC\_4H0718.RP  
63" w x 30 1/2" h x 30" d  
two raised panel doors

## Credenza

**c. Office Credenza**  
WC\_4H0910  
61 1/2" w x 30 3/4" h x 16" d  
two adjustable shelves

## File Cabinets

**d. Two Drawer File Cabinet**  
WC\_4H1001  
20 3/4" w x 30 1/2" h x 22 3/4" d

**e. Three Drawer File Cabinet**  
WC\_4H1002  
20 3/4" w x 43 3/4" h x 22 3/4" d

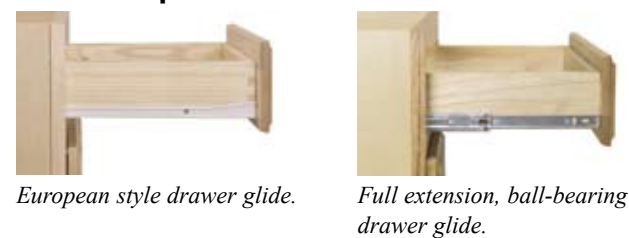
**f. Four Drawer File Cabinet**  
WC\_4H1003  
20 3/4" w x 55" h x 22 3/4" d

[BACK TO TABLE OF CONTENTS](#)

## Hardware Options



## Drawer Options



Full Ext. drawer glides add .FE to the end of the model number.



# VINTAGE COLLECTION

## PRODUCT FEATURES:

- flat panel sides
- solid wood face frames
- solid wood tops
- solid wood door fronts
- hanging folder rails
- solid wood drawer parts
- English dovetail drawer joints
- European-style drawer glides
- optional full extension ball bearing drawer glide (.FE)
- file drawers feature ball-bearing full extension glides
- flat panel doors
- concealed adjustable hinges
- keyboard pullouts
- hardware options available
- cd storage



## Paymaster Desk and Wall System

**a. Three Drawer Cabinet**  
WC\_4G0911  
36" w x 30" h x 24" d  
specify right or left flush

**b. Component Cabinet with Keyboard pullout**  
WC\_4G0912  
36" w x 30" h x 24" d  
one adjustable shelf  
specify right or left flush

**c. Cabinet**  
WC\_4G0913  
36" w x 36" h x 24" d  
one adjustable shelf  
specify right or left flush

**d. Paymaster Desk**  
WC\_4G0719  
60" w x 30" h x 36" d  
three drawers and pullout  
backside has one door  
and two adjustable shelves

**e. Hutch**  
WC\_4G0813  
36" w x 48" h x 13 1/4" d  
two adjustable shelves  
specify right or left flush

**f. Hutch**  
WC\_4G0813  
36" w x 48" h x 13 1/4" d  
two adjustable shelves  
specify right or left flush

**g. Hutch with Glass Mullion Doors**  
WC\_4G0814  
36" w x 48" h x 13" d  
two adjustable shelves  
specify right or left flush

**h. Paymaster Desk**  
WC\_4G0720  
48" w x 30" h x 36" d

[BACK TO TABLE OF CONTENTS](#)

## Hardware Options



## Drawer Options



Full Ext. drawer glides add .FE to the end of the model number.

