



# FLUTED COLLECTION



Available in  
PINE • MAPLE • OAK • CHERRY

## PRODUCT FEATURES:

- solid wood fluting
- solid wood drawer fronts and drawer parts
- solid wood raised panel doors
- keyboard pullouts
- hardware options available
- hanging folder rails
- English dovetail drawer joints
- European-style drawer glides
- file drawers feature ball-bearing full extension glides
- optional full extension ball bearing drawer glide (.FE)
- concealed adjustable hinges



a.



front



d.



e.



f.



b.



front



c.

## Desks

a. **Seven Drawer Executive Desk with Pencil Drawer**  
WC\_4H0713  
63" w x 30 1/2" h x 30" d

b. **Bookcase Desk**  
WC\_4H0718  
63" w x 30 1/2" h x 30" d  
**Bookcase Desk with Doors**  
WC\_4H0718.RP  
63" w x 30 1/2" h x 30" d  
two raised panel doors

## Credenza

c. **Office Credenza**  
WC\_4H0910  
61 1/2" w x 30 3/4" h x 16" d  
two adjustable shelves

## File Cabinets

d. **Two Drawer File Cabinet**  
WC\_4H1001  
20 3/4" w x 30 1/2" h x 22 3/4" d

e. **Three Drawer File Cabinet**  
WC\_4H1002  
20 3/4" w x 43 3/4" h x 22 3/4" d

f. **Four Drawer File Cabinet**  
WC\_4H1003  
20 3/4" w x 55" h x 22 3/4" d

[BACK TO TABLE OF CONTENTS](#)

## Hardware Options



## Drawer Options



European style drawer glide.

Full extension, ball-bearing drawer glide.

Full Ext. drawer glides add .FE to the end of the model number.



# VINTAGE COLLECTION

## PRODUCT FEATURES:

- flat panel sides
- solid wood face frames
- solid wood tops
- solid wood door fronts
- hanging folder rails
- solid wood drawer parts
- English dovetail drawer joints
- European-style drawer glides
- optional full extension ball bearing drawer glide (.FE)
- file drawers feature ball-bearing full extension glides
- flat panel doors
- concealed adjustable hinges
- keyboard pullouts
- hardware options available
- cd storage



## Paymaster Desk and Wall System

a. **Three Drawer Cabinet**  
WC\_4G0911  
36" w x 30" h x 24" d  
specify right or left flush

b. **Component Cabinet with Keyboard pullout**  
WC\_4G0912  
36" w x 30" h x 24" d  
one adjustable shelf  
specify right or left flush

[BACK TO TABLE OF CONTENTS](#)

c. **Cabinet**  
WC\_4G0913  
36" w x 36" h x 24" d  
one adjustable shelf  
specify right or left flush

d. **Paymaster Desk**  
WC\_4G0719  
60" w x 30" h x 36" d  
three drawers and pullout  
backside has one door  
and two adjustable shelves

e. **Hutch**  
WC\_4G0813  
36" w x 48" h x 13 1/4" d  
two adjustable shelves  
specify right or left flush

f. **Hutch**  
WC\_4G0813  
36" w x 48" h x 13 1/4" d  
two adjustable shelves  
specify right or left flush

g. **Hutch with Glass Mullion Doors**  
WC\_4G0814  
36" w x 48" h x 13" d  
two adjustable shelves  
specify right or left flush

h. **Paymaster Desk**  
WC\_4G0720  
48" w x 30" h x 36" d

## Hardware Options



## Drawer Options



European style drawer glide.

Full extension, ball-bearing drawer glide.

Full Ext. drawer glides add .FE to the end of the model number.



Available in  
PINE • MAPLE • OAK • CHERRY



# VINTAGE COLLECTION

## Timeless Beauty

The design of our distinguished Vintage Office Collection projects your professionalism.



a.



c.



e.



g.



i.



k.



m.



o.



q.



front of desks n, p, and q.



# VINTAGE COLLECTION

## PRODUCT FEATURES:

- flat panel sides
- solid wood tops, face frames, door fronts, and drawer parts
- hanging folder rails
- English dovetail drawer joints
- European-style drawer glides
- optional full extension ball bearing drawer glide (.FE)
- file drawers feature ball-bearing full extension glides
- flat panel doors
- concealed adjustable hinges
- keyboard pullouts
- hardware options available
- cd storage

## Hutches and Desks

### a. Computer Hutch

WC\_4G0801

47 3/4" w x 36" h x 13" d

### b. Single Pedestal Desk

WC\_4G0701

47 1/4" w x 30 1/2" h x 24 1/4" d

### c. Computer Hutch

WC\_4G0801

47 3/4" w x 36" h x 13" d

### d. Single Pedestal Computer Desk

WC\_4G0702

47 1/4" w x 30 1/2" h x 24 1/4" d

### e. Computer Hutch

WC\_4G0803

62" w x 36" h x 13" d

### f. Double Pedestal Computer Desk

WC\_4G0704

61 1/2" w x 30 1/2" h x 24 1/4" d

CPU opening:

10 3/4" w x 23 1/2" h

### g. Computer Hutch

WC\_4G0804

62" w x 36" h x 13" d

### h. Single Pedestal Computer Desk

WC\_4G0705

61 1/2" w x 30 1/2" h x 24 1/4" d

CPU opening:

10 3/4" w x 19 1/4" h

### i. Computer Hutch

WC\_4G0802

62" w x 36" h x 13" d



Double Pedestal Desk WC\_4G0703

### j. Double Pedestal Desk

WC\_4G0703

61 1/2" w x 30 1/2" h x 24 1/4" d

30" d oversized top

### m. Desk Hutch with Paper Sorter

WC\_4G0809

62" w x 42" h x 13" d

62" w x 42" h x 13" d

### p. Six Drawer Executive Desk with Pullout

WC\_4G0712

61 1/2" w x 30 1/2" h x 30" d

finished back

### n. Six Drawer Executive Desk with Pullout

WC\_4G0712

61 1/2" w x 30 1/2" h x 30" d

61 1/2" w x 30 1/2" h x 30" d

### q. Seven Drawer Executive Desk with Pencil Drawer

WC\_4G0713

61 1/2" w x 30 1/2" h x 30" d

finished back

### o. Desk Hutch with Paper Sorter

WC\_4G0811

62" w x 42" h x 13" d

two fixed shelves

## Hardware Options



## Drawer Options



European style drawer glide.

Full extension, ball-bearing drawer glide.

Full Ext. drawer glides add .FE to the end of the model number.

[BACK TO TABLE OF CONTENTS](#)



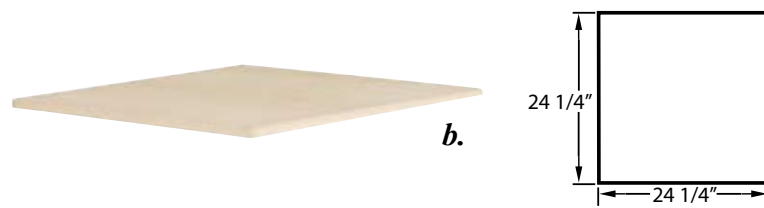
# VINTAGE COLLECTION



a.

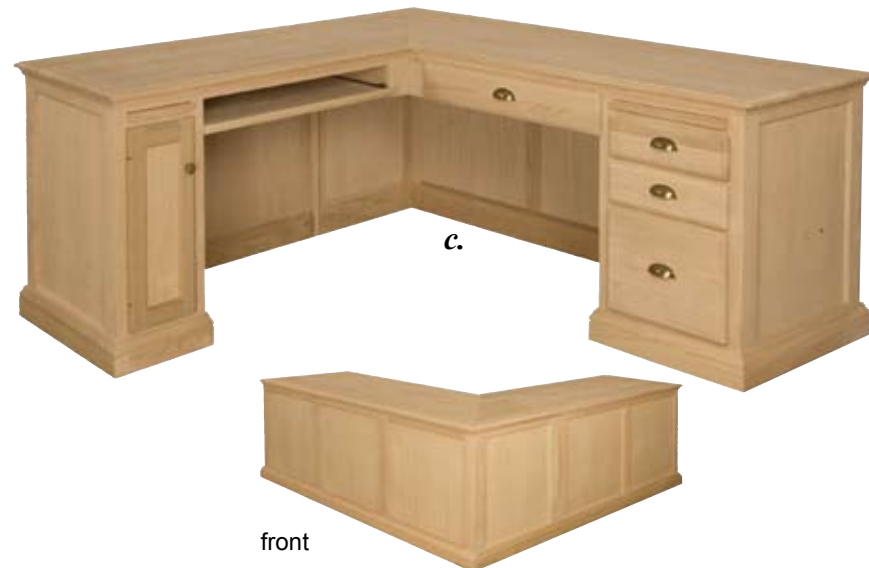
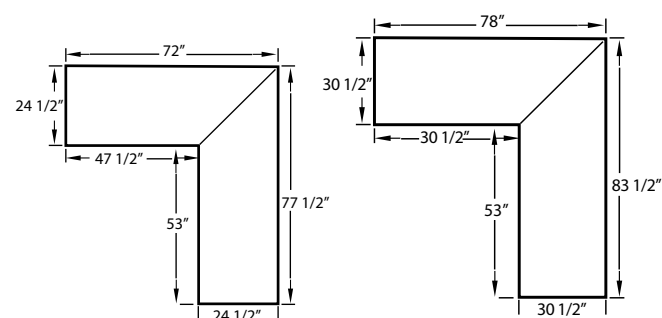


wrap doors



b.

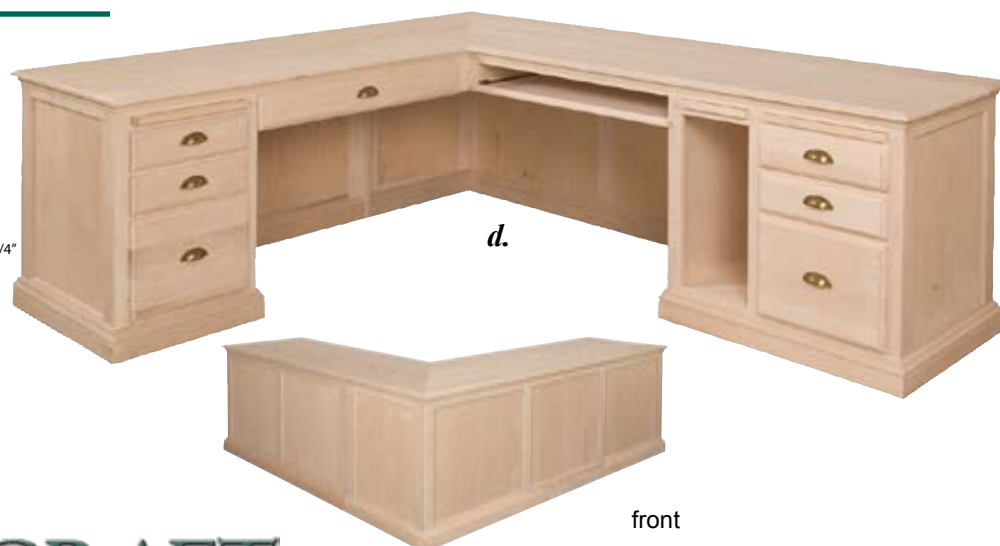
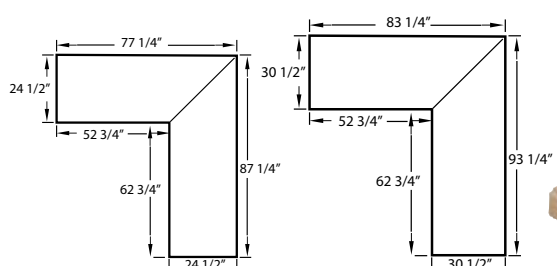
## Corner Desk Dimensions



c.

front

## Corner Desk Dimensions



d.

front



# VINTAGE COLLECTION

## PRODUCT FEATURES:

- flat panel sides
- solid wood tops, face frames, door fronts and drawer parts
- hanging folder rails
- English dovetail drawer joints

- European-style drawer glides
- optional full extension ball bearing drawer glide (.FE)
- file drawers feature ball-bearing full extension glides
- flat panel doors
- concealed adjustable hinges
- keyboard pullouts
- hardware options available
- cd storage

## Armoire

### a. Home Computer Armoire WC\_4G0501

42 1/4" w x 70" h x 23 1/4" d  
 monitor space: 36 3/4" w x 26" h  
 standard flat panel doors  
 writing pullout  
 printer pullout  
 scanner pullout  
 power/phone strip  
 task light  
 Door Options:  
 flat panel wrap doors shown  
 flat panel bi-fold doors

## Display Cabinet

### e. Display Cabinet WC\_4G1901

43 1/2" w x 57 1/2" h x 17" d  
 solid wood mullions  
 two fixed shelves



e.

## Hutch & Credenza

### f. Desk Hutch with Drawer WC\_4G0810

62" w x 42" h x 13" d

### g. Desk Hutch with Drawer WC\_4G0812

62" w x 42" h x 13" d

### h. Office Credenza WC\_4G0909

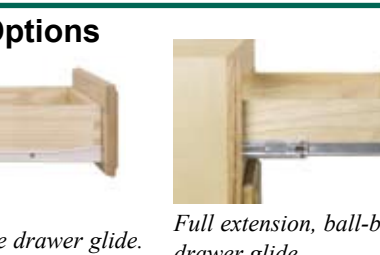
61 1/2" w x 30 1/2" h x 18 1/4" d



f.



g.



h.

## Corner Connector

### b. Corner Connector WC\_4G1101

24 1/4" w x 24 1/4" d

## Corner Desks

### c. Corner Desk 24" WC\_4G0714.PCL shown WC\_4G0714.PCR

30 1/2" h x 24 1/2" d  
 Specify CPU opening left or right when ordering.

### Corner Desk 30" WC\_4G0715.PCL WC\_4G0715.PCR

30 1/2" h x 30 1/2" d  
 Specify CPU opening left or right when ordering.

### d. Corner Desk 24" WC\_4G0716.PDL WC\_4G0716.PCR shown

30 1/2" h x 24 1/2" d  
 Specify CPU opening left or right when ordering.

### Corner Desk 30" WC\_4G0717.PCL WC\_4G0717.PCR

30 1/2" h x 30 1/2" d  
 Specify CPU opening left or right when ordering.

## Filing Cabinets

### i. Two Drawer File Cabinet WC\_4G1001

19 1/4" w x 30 1/2" h x 24 1/4" d

### j. Three Drawer File Cabinet WC\_4G1002

19 1/4" w x 42 3/4" h x 24 1/4" d

### k. Four Drawer File Cabinet WC\_4G1003

19 1/4" w x 55" h x 24 1/4" d



i.



j.



k.

[BACK TO TABLE OF CONTENTS](#)

## Hardware Options



## Drawer Options



European style drawer glide.

Full extension, ball-bearing drawer glide.

Full Ext. drawer glides add .FE to the end of the model number.

